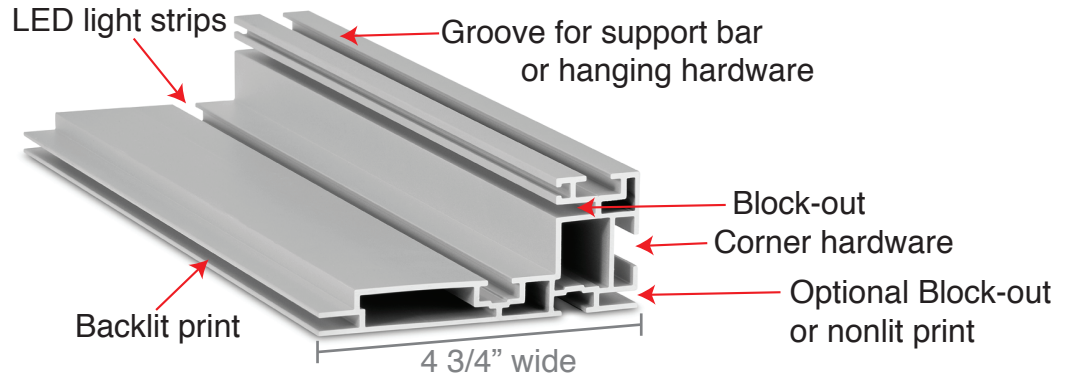


#120 Large 1-Sided LED

Freestanding / Hanging / Wallmount



Specifications: #120 Large 1-Sided LED

Application: Freestanding / Hanging / Wallmount

Depth: 4.75"

Length: 18.5' UNCUT. With butt join, unlimited length.

Weight: 1.75 lb./ft.

Options: Works with acoustic panel. A nonlit graphic on back side is a possibility.

Note: White block out behind lights necessary for dispersion of the light

LED Options: Edgelit LED Strips, Direct LED mounted on stabilizer, Lattice LED's

Colors: Silver, Black, White. Custom colors and finishes available.

Silicon Strip size: 3mm thick x 12-14mm wide

All electrical components are UL listed




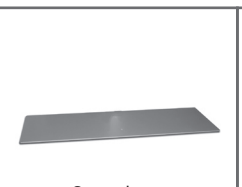








The #120 aluminum profile is designed for illuminating especially large format SEG graphics. The multi-channel profile is suitable for wall mounting, free standing and hanging solutions. Combined with our LED strips, #120 is the choice for very large SEG graphics. #120 is similar to #90, except it is deeper to allow more space for dispersion of light across a larger area of your graphic.

- Hardware and support bars make #120 easy to extend so unlimited size is achievable.
- Corner stabilizers and support bars offer optimal reinforcement of large frames
- Low profile power sources fit perfectly into back channel
- This frame knocks down for easy transport.
- Assembly is easy.

ALSO AVAILABLE: #121, IDENTICAL TO #120, EXCEPT WITH NO OUTSIDE GROOVE, SMOOTH SURFACE.

SEG frames are perfect store front windows.

ACCESSORIES

					
14 options of LEDs	Dimmer with remote	Inside corner hardware FK-0250	6 options of flat feet	#20 with FK-0222 45° connector	Wall Mounts FK-0410
					
9 options of power supplies	Corner hardware FK-0209	180° Connectors FK-0512	4 options of flat feet with vertical support	#20 with FK-022 90° connector	Ceiling Pendant FK-0361