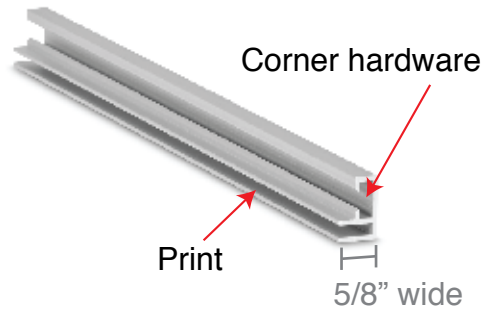


DDIRECT **LED FRAMES**



Manufacturer of Innovative SEG Frames

#15 1-Sided Economy nonlit #19 1-Sided Economy Plus nonlit Wallmount



Specifications: #15 1-Sided Economy Nonlit

Application: Wallmount

Depth: .625"

Length: 18.5' UNCUT. With butt join, unlimited length.

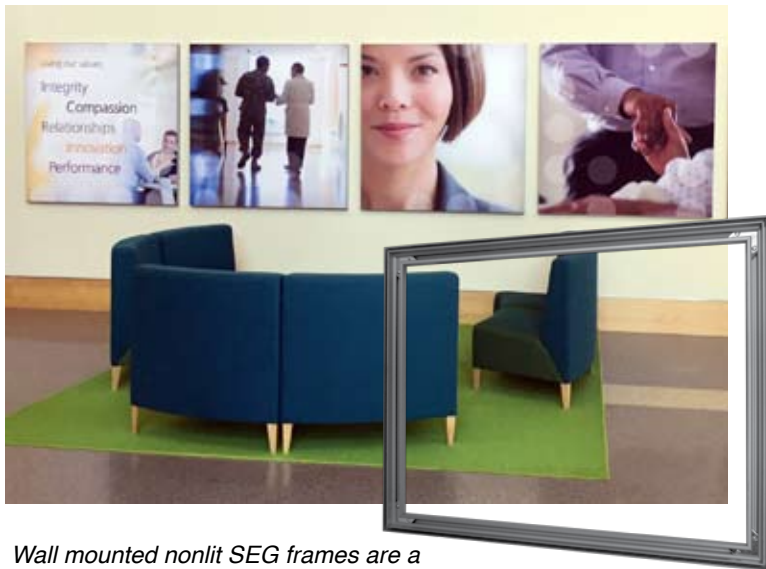
Weight: .22lb./ft.

Colors: Silver. Custom colors and finishes available.

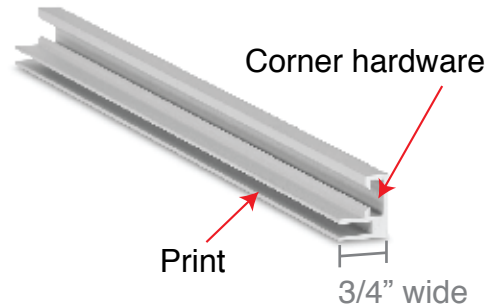
Silicon Strip size: 3mm thick x 12-14mm wide

This is an economy single sided, nonlit profile designed to be screwed to the wall. Support bars are not available for #15.

- Suitable for displaying nonlit SEG graphics
- Economical shipping
- Easy assembly
- Economical solution
- Wall mounts available



Wall mounted nonlit SEG frames are a great means of communicating a message while decorating corporate environments, as on display at United Health Care headquarters.



Specifications: #19 1-SIDED ECONOMY PLUS NONLIT

Application: Wallmount

Depth: .75"

Length: 18.5' UNCUT. With butt join, unlimited length.

Weight: .25lb./ft.

Colors: Silver, Black, White. Custom colors and finishes available.

Silicon Strip size: 3mm thick x 12-14mm wide

This is an economy single sided, nonlit profile designed to be screwed to the wall. Support bars are not available for #19. The #19 is more rigid than the #15.

- Suitable for displaying nonlit SEG graphics
- Economical shipping
- Easy assembly
- Economical solution
- Wall mounts available

ACCESSORIES



Corner hardware
FK-0210

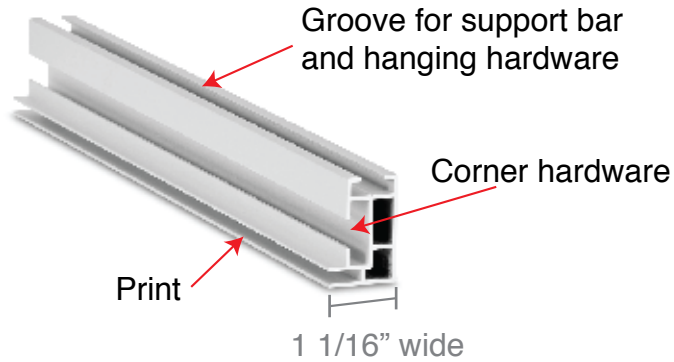


180° Connectors
FK-0510



Wall Mounts
FK-0400

#27 1-Sided nonlit Hanging / Wallmount



#27 is utilized to display the oversized graphic in a Hawaiian retreat

SPECIFICATIONS: #27 1-Sided Nonlit

Application: Hanging / Wallmount

Depth: 1.0625"

Length: 18.5' UNCUT. With butt join, unlimited length.

Weight: .45 lb./ft.

Option: Works with acoustic panel

Colors: Silver, Black, White. Custom colors and finishes available.

Silicon Strip size: 3mm thick x 12-14mm wide

- #27 is the most versatile 1-sided nonlit profile for SEG graphics framing. It can be wall hung or ceiling suspended. Support bars and hardware are available for unlimited size. The most popular for most nonlit, 1-sided applications.
- Heavy duty hardware available for wallmounting or ceiling hanging.
 - Corner stabilizers and support bars for optimum reinforcement of large frames.
 - 180° connectors for unlimited size.
 - Knocks down for easy transport
 - Easy Assembly

ACCESSORIES



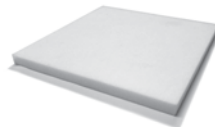
Corner hardware
FK-0209



#20 with FK-0222
45° connector



Wall Mounts
FK-0410



Acoustic Panel



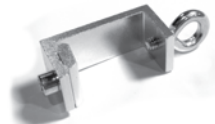
180° Connectors
FK-0509



#20 with FK-022
90° connector

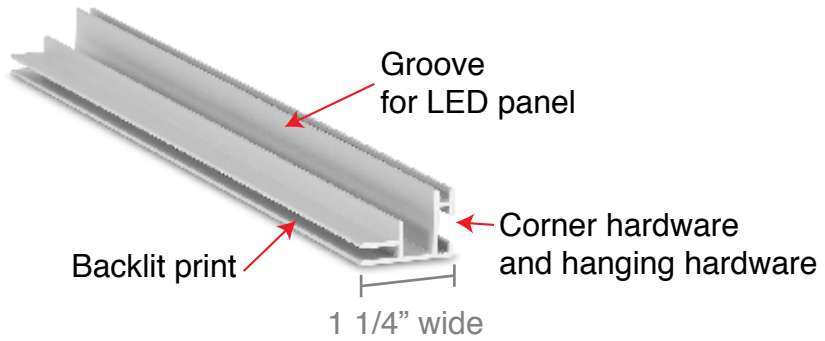


Ceiling Pendant
FK-0361



Ceiling Mount
FK-0425

#33 1-Sided LED Panel Frame Wallmount



Specifications: #33 1-Side Led Panel Frame

Application: Wallmount

Depth: 1.25"

Weight: .3 lb./ft.

Option: Works with acoustic panel if LED panel is not used.

LED Options: LED panel

Colors: Silver, Black, White. Custom colors and finishes available.

Silicon Strip: 3mm thick x 12mm wide

All electrical components are UL listed

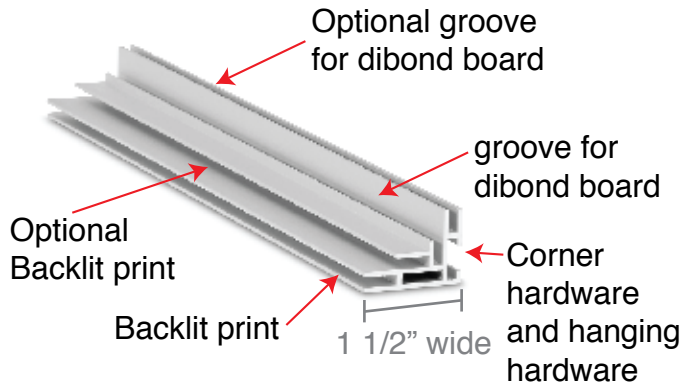
This aluminum profile is designed for framing SEG graphics using LED illuminated, laser-etched acrylic panels. These LED panels are available in standard sizes are very economical. Custom sizes are also available. The low profile of the frame makes it a popular choice. #33 can also be used to frame acoustic panels instead of the LED panel

- Evenly distributed LED back lighting.
- Low profile
- No assembly, remove form box and plug in.
- Ideal to frame acoustic panels.

Panel frames used in a retail environment, SEG graphics are easily changed to keep up with the latest trends.

ACCESSORIES					
	LED Panel	Corner hardware FK-0210	Acoustic Panel		
					
power supply	180° Connectors FK-0514	Install Bar FK-0800			

#39 1-Sided Direct LED #50 1-Sided Direct LED Wallmount



Specifications: #39 1-Sided Direct LED

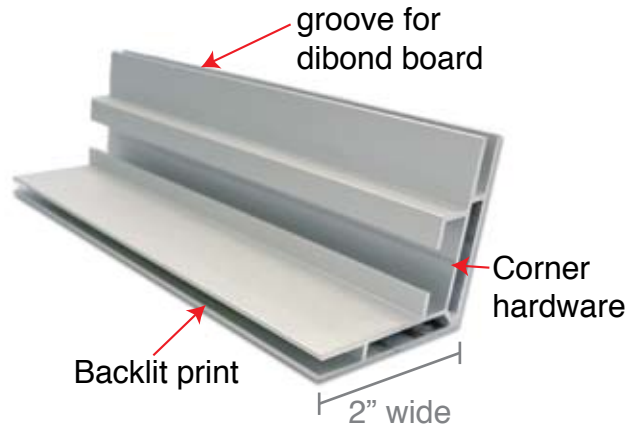
Application: Wallmount
Depth: 1.5"
Length: 18.5' UNCUT. With butt join, unlimited length.
Weight: .5 lb./ft.
LED Options: Direct LED mounted dibond
Colors: Silver, Black, White. Custom colors and finishes available.
Silicon Strip: 3mm thick x 12-14mm wide
All electrical components are UL listed

This SEG graphic aluminum profile is designed for direct backlit LED applications. The LS980 LED strips feature 160° LED modules and are mounted on dibond, illuminating the SEG graphic directly. #39 with direct backlight offers low profile, with evenly distributed high illumination.

- Low profile • Bright even illumination



Framed, backlit SEG graphics can be impactful wall decor. direct backlit offers minimal frame depth and maximum illumination.



Specifications: #50 1-Sided Direct LED

Application: Wallmount
Depth: 2"
Length: 18.5' UNCUT. With butt join, unlimited length.
Weight: .7 lb./ft.
LED Options: Direct LED mounted dibond
Colors: Silver. Custom colors and finishes available.
Silicon Strip: 3mm thick x 12-14mm wide

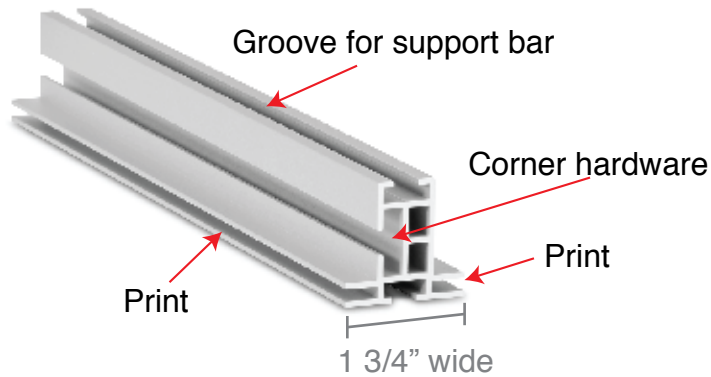
This SEG graphic aluminum profile is designed for direct backlit LED applications. The LS980 LED strips feature 160° LED modules and are mounted on dibond, illuminating the SEG graphic directly. #50 with direct backlight offers low profile, with evenly distributed high illumination.

- Low profile • Bright even illumination

ACCESSORIES					

#44 2-Sided nonlit

Freestanding / Hanging / Wallmount



Our #44 nonlit is a great way to display directional and informational signage.

Specifications: #44 2-Sided Nonlit

Application: Freestanding / Hanging / Wallmount

Depth: 1.75"

Length: 18.5' UN CUT. With butt join, unlimited length.

Weight: .75 lb./ft.

Option: Works with acoustic panel










Colors: Silver, Black, White. Custom colors and finishes available.

Silicon Strip size: 3mm thick x 12-14mm wide

This aluminum profile is designed for freestanding and / or suspended display of SEG graphics. This profile has a double channel, for placing two textile prints in the frame front and back. With the extension hardware and support bars, every size is possible

- Feet available for free-standing
- Corner and support bars
- Stabilizers for optimum reinforcement
- Ceiling hanger for hanging
- This frame knocks down for economical shipping.
- Assembly is easy.

ALSO AVAILABLE: #45, IDENTICAL TO #44, EXCEPT WITH NO OUTSIDE GROOVE, SMOOTH SURFACE.

ACCESSORIES					
	Corner hardware FK-0209	6 options of flat feet	#20 with FK-0222 45° connector	Acoustic Panel	
					
180° Connectors FK-0509	4 options of flat feet with vertical support	#20 with FK-022 90° connector	Wall Mounts FK-0445	Ceiling Pendant FK-0361	

#80 2-Sided

#81 Concealed Corner

Freestanding / Hanging

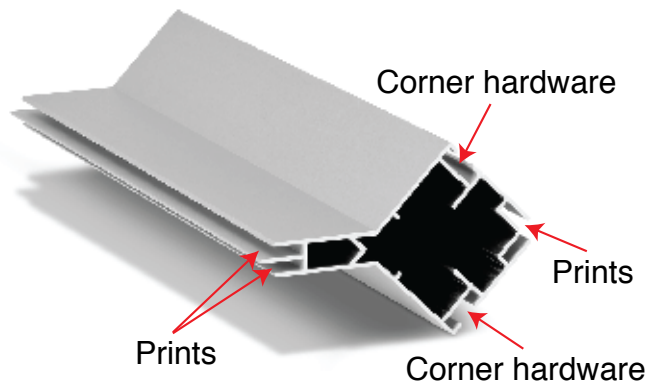
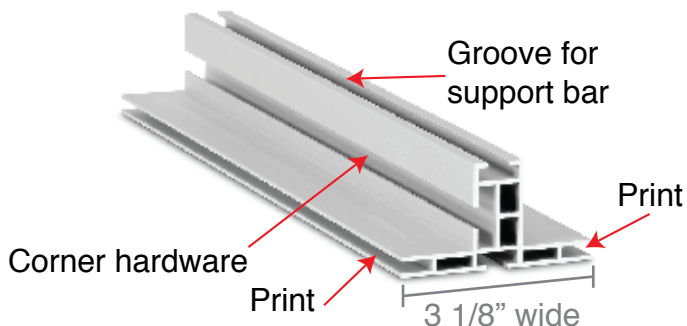
Specifications: #80 2-Sided

Application: Freestanding / Hanging
Depth: 3.125"
Length: 18.5' UNCUT. With butt join, unlimited length.
Weight: 1.5 lb./ft.
Option: Works with acoustic panel.
LED Options: Lattice lights, Direct LED mounted on stabilizer
Colors: Silver, Black. Custom colors and finishes available.
Silicon Strip: 3mm thick x 12-14mm wide

This aluminum profile is designed for SEG graphics. The multi-channel profile is suitable for free standing and hanging solutions.

- Our hardware and support bars make #80 easy to extend so unlimited size is achievable.
- Corner stabilizers and support bars offer optimal reinforcement of large frames
- This frame knocks down for easy transport.
- Assembly is easy.
- Low profile power sources fit perfectly.

ALSO AVAILABLE: #79, IDENTICAL TO #80, EXCEPT WITH NO OUTSIDE GROOVE, SMOOTH SURFACE.



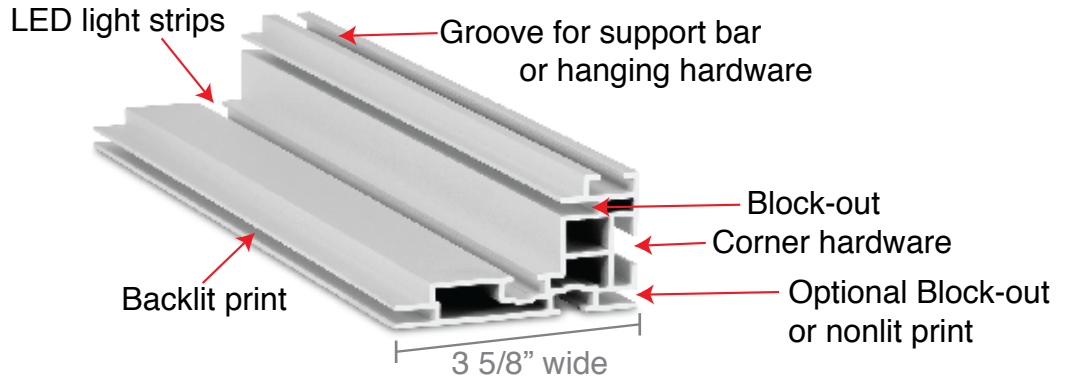
Specifications: #81 Concealed Corner

Application: Freestanding / Hanging
Depth: 3.375"
Length: 18.5' UNCUT.
Weight: 1.5 lb./ft.
Option: Works with acoustic panel. A nonlit graphic on back side is an option.
Advised: White block out behind lights necessary for dispersion of the light
LED Options: Lattice lights, Direct LED mounted on stabilizer
Colors: Silver, Custom colors and finishes available.
Silicon Strip: 3mm thick x 12-14mm wide
WORKS WITH: #80, #79

ACCESSORIES						
	3 options of LEDs	Dimmer with remote	Ceiling Pendant FK-0361	6 options of flat feet	#20 with FK-0222 45° connector	#81 Corner hardware FK-0280
9 options of power supplies	#80 Corner hardware FK-0209	180° Connectors FK-0509	4 options of flat feet with vertical support	#20 with FK-022 90° connector	#81 Cap FK-0725	

#90 1-Sided LED

Freestanding / Hanging / Wallmount



Specifications: #90 1-Sided LED

Application: Freestanding / Hanging / Wallmount

Depth: 3.625"

Length: 18.5' UNCUT. With butt join, unlimited length.

Weight: 1.5 lb./ft.

Option: Works with acoustic panel. A nonlit graphic on back side is an option.

Advised: White block out behind lights necessary for dispersion of the light

LED Options: Edgelit LED Strips, Direct LED mounted on stabilizer

Colors: Silver, Black, White. Custom colors and finishes available.

Silicon Strip: 3mm thick x 12-14mm wide

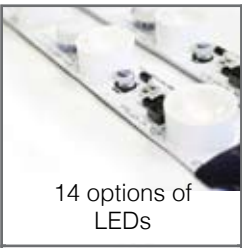

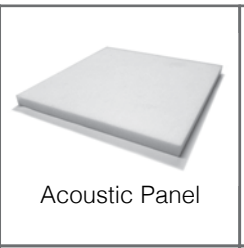
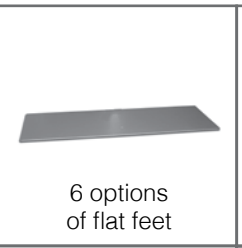








All electrical components are UL listed

This aluminum profile is designed for edgelit SEG graphics. The multi-channel profile is suitable for wall mounting, free standing and hanging solutions. Combined with our LED strips, #90 is an industry favorite.

- Our hardware and support bars make #90 easy to extend so unlimited size is achievable.
- Corner stabilizers and support bars offer optimal reinforcement of large frames
- This frame knocks down for easy transport.
- Assembly is easy.
- Low profile power sources fit perfectly into back channel.

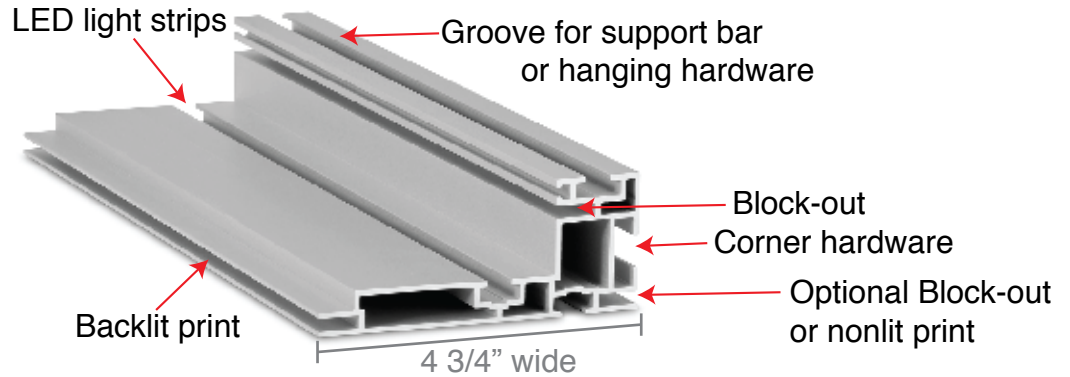
ALSO AVAILABLE: #91, IDENTICAL TO #90, EXCEPT WITH NO OUTSIDE GROOVE, SMOOTH SURFACE.

ACCESSORIES

#120 Large 1-Sided LED

Freestanding / Hanging / Wallmount



SEG frames are perfect store front windows.

Specifications: #120 Large 1-Sided LED

Application: Freestanding / Hanging / Wallmount

Depth: 4.75"

Length: 18.5' UNCUT. With butt join, unlimited length.

Weight: 1.75 lb./ft.

Options: Works with acoustic panel. A nonlit graphic on back side is a possibility.

Note: White block out behind lights necessary for dispersion of the light

LED Options: Edgelit LED Strips, Direct LED mounted on stabilizer, Lattice LED's

Colors: Silver, Black, White. Custom colors and finishes available.

Silicon Strip size: 3mm thick x 12-14mm wide

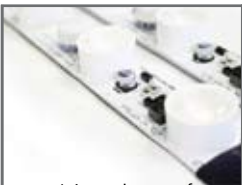


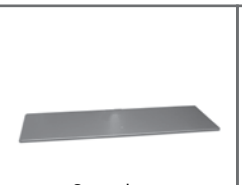








All electrical components are UL listed

The #120 aluminum profile is designed for illuminating especially large format SEG graphics. The multi-channel profile is suitable for wall mounting, free standing and hanging solutions. Combined with our LED strips, #120 is the choice for very large SEG graphics. #120 is similar to #90, except it is deeper to allow more space for dispersion of light across a larger area of your graphic.

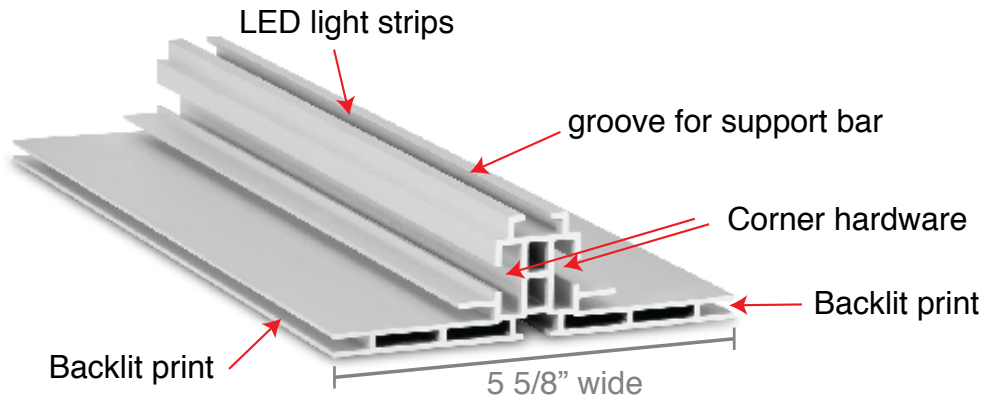
- Hardware and support bars make #120 easy to extend so unlimited size is achievable.
- Corner stabilizers and support bars offer optimal reinforcement of large frames
- Low profile power sources fit perfectly into back channel
- This frame knocks down for easy transport.
- Assembly is easy.

ALSO AVAILABLE: #121, IDENTICAL TO #120, EXCEPT WITH NO OUTSIDE GROOVE, SMOOTH SURFACE.

ACCESSORIES

 14 options of LEDs	 Dimmer with remote	 Inside corner hardware FK-0250	 6 options of flat feet	 #20 with FK-0222 45° connector	 Wall Mounts FK-0410
 9 options of power supplies	 Corner hardware FK-0209	 180° Connectors FK-0512	 4 options of flat feet with vertical support	 #20 with FK-022 90° connector	 Ceiling Pendant FK-0361

#143 2-Sided LED Freestanding / Hanging



20ft tall 2 sided LED frames are a slam dunk for Heaven Hill at KFC Yum! Center in Louisville Kentucky.

Specifications: #143 2-Sided LED

Application: Freestanding / Hanging

Depth: 5.625"

Length: 18.5' UNCUT. With butt join, unlimited length.

Weight: 1.75 lb./ft.

Note: Robust extrusion design, requires minimal stabilizers.

LED Options: Edgelit LED Strips, Direct LED mounted on stabilizers.

Colors: Silver, Black, White. Custom colors and finishes available.



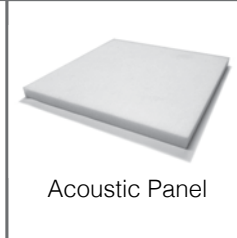
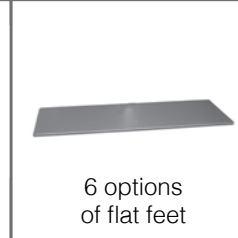




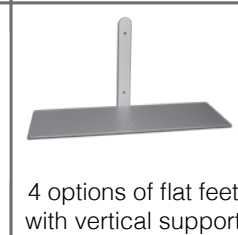


Silicon Strip: 3mm thick x 12-14mm wide

All electrical components are UL listed

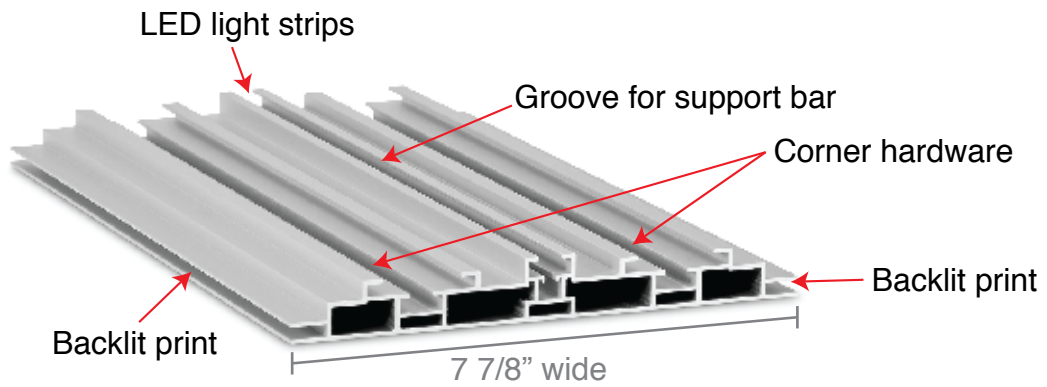
The #143 aluminum profile is designed for illuminating large format SEG graphics, in a 2-sided presentation, front and back. The multi-channel profile is suitable for free standing and ceiling hanging solutions.

- Hardware and support bars make #143 easy to extend so unlimited size is achievable.
- This frame knocks down for easy transport.
- Assembly is easy.
- Combined with our LED strips, #143 is the choice for large backlit SEG graphics. It is minimal depth for 2-sided backlit SEG graphics.
- Low profile power sources minimize shadows when installed within the frame.

ACCESSORIES

#200 2-Sided LED Freestanding / Hanging



#200 frames are used to exhibit oversized graphics throughout trade shows

Specifications: #200 2-Sided LED

Application: Freestanding / Hanging

Depth: 7.875"

Length: 18.5' UNCUT. With butt join, unlimited length.

Weight: 1.7 lb./ft.

Note: Edgelit LED strips may be utilized in any or all of three channels.

LED Options: Edgelit LED Strips, Direct LED mounted on stabilizer, Lattice LED's

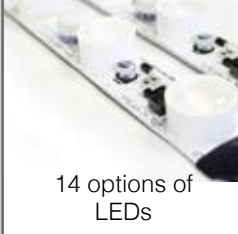

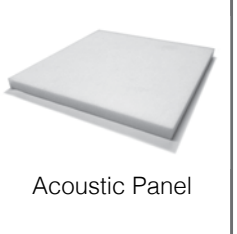
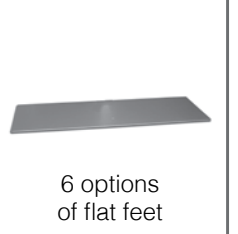







Colors: Silver, Black, White. Custom colors and finishes available.

Silicon Strip: 3mm thick x 12-14mm wide

All electrical components are UL listed

The #200 aluminum profile is designed for illuminating especially large format SEG graphics, in a 2-sided presentation, front and back. The multi-channel profile is suitable for free standing and ceiling hanging solutions.

- Hardware and support bars make #200 easy to extend so unlimited size is achievable.
- This frame knocks down for easy transport.
- Assembly is easy.
- Combined with our LED strips, #200 is the choice for large SEG graphics. It is deep to allow space for dispersion of light across a large graphic.
- Low profile power sources minimize shadows when installed within the frame.
- Can accommodate multiple rows of LED's to maximize illumination.

ACCESSORIES					
	14 options of LEDs	Dimmer with remote	Acoustic Panel	6 options of flat feet	#20 with FK-0222 45° connector
					
9 options of power supplies	Corner hardware FK-0230	180° Connectors FK-0530	4 options of flat feet with vertical support	#20 with FK-022 90° connector	Ceiling Pendant FK-0361

Specifications: #34 Build In Textile Frame

Application: Mounted

Depth: 1.33"

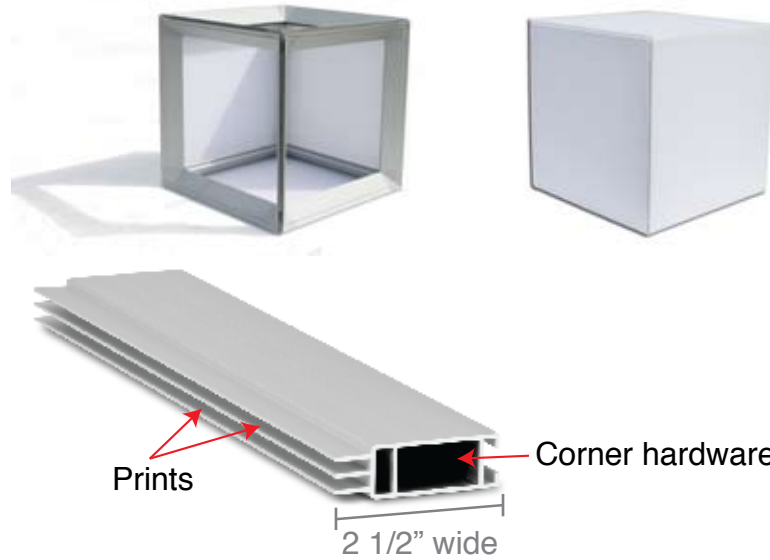
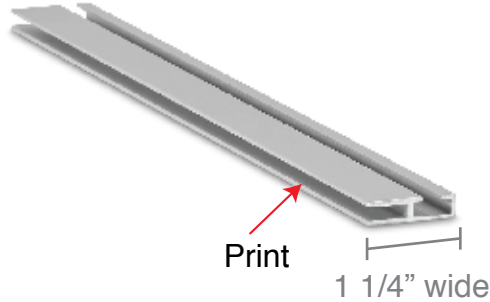
Length: 18.5' UNCUT. With butt join, unlimited length.

Weight: .22 lb./ft.

Colors: Silver. Custom colors and finishes available.

Silicon Strip size: 3mm thick x 12-14mm wide

#34 is a channel to be installed in a structure to enable display of SEG prints



Specifications: #65 Cube

Application: 3D Cube

Depth: 2.55"

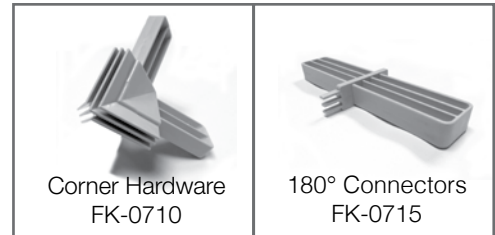
Length: 18.5' UNCUT. With butt join, unlimited length.

Weight: .5 lb./ft.

Colors: Silver. Custom colors and finishes available.

Silicon Strip size: 3mm thick x 12-14mm wide

#65 is used with FK-0710 corners to build 4 or 6-sided SEG Graphic cubes.



Wood Frames

100's of wood mouldings available
 With or without LED lighting
 Easy change of your textile fabric
 Custom sizes available

24/7 Online Quoting and Ordering System



Online Quote and Ordering in just a few clicks.

Step 1.

Login your account.

If you do not have an account you can fill out the online Trade Account Application.

Login ← Step 1.

EMAIL • Your email

PASSWORD •

LOGIN REMEMBER ME

Step 2.

Using the product filter, choose the Profile that would be best for your application.

Example: 1-sided or 2-sided / lit or nonlit / with feet, wall mounted, or hung from the ceiling.

Product Filter

 ← Step 2.

Frame Type

1-sided (7)

2-sided (4)

Frame Lighting

With LED Lighting (5)

Frame Mounting

From the ceiling (8)

On the floor (7)

On the wall (8)

Frame Color

Anodized Silver (10)

Black (9)

White (9)

Step 3.

Enter the frame size and how you would like it cut for shipping, if necessary for couriers with size limitations.

Step 4.

Select frame Color/Finish

Step 5.

Choose how the frame will be mounted: wall mounted, from the ceiling, or on the floor.

Step 6.

If the frame is lit, the placement of the LED will default to what we recommend, but you have the option to change it if you choose.

Step 7.

Add your frame to cart. From the cart you can place the order or save the quote for use at a later time.

FRAME SIZE

 ← Step 3.

Would you like to enter measurements in inches or feet and inches?

Inches Feet and inches

Width x Height

inches inches

Frame sides have to be greater than 16 inches

0.00" x 0.00" = 0.00 total inches. This is a square frame

Select the maximum cut length you would like to easily transport your frame.

inches

(More info)

COLOR / FINISH

 ← Step 4.

Frame color: anodized-silver

Support bar color: anodized-silver

MOUNTS

 ← Step 5.

On the wall From the ceiling On the floor No mount

LIGHTS

 ← Step 6.

(More info)

LED on 1 side LED on 2 sides LED on 4 sides No LED lights

Short side Long side

Product Total: \$ 0.00

ADD TO CART

← Step 7.

Acoustic Frames

Turn any frame into a sound magnet,
by adding acoustics panel to your frame



#79frame with Acoustic panels

Specifications: 1/2" Acoustic Panel

Thickness: 1/2"

Weight: 0.4 lb per square foot

Composition: 100% non-Woven Polyester VOC's <0.1%

Disposal: Fully Recyclable

Fire Rating: ASTM E84 Class A

Thermal: 2.10 provides excellent thermal insulation

Colors: White

The Panels are lightweight, durable, semi-rigid multi-purpose insulation & substrate. It is used for acoustical, thermal and shock absorbent purposes in all types of environments.

It is fabricated from 100% non-woven polyester made from 60% post-consumer content and is itself 100% recyclable.

- Non-hygroscopic.
- Endless Configurations.
- Wall mounted.
- Ceiling Panels.
- Dividers.
- Works with lit and nonlit frames.

Acoustical Performance

Product		Absorption Coefficients @ Octave Band Center Frequencies							NRC
		Thickness		125	250	500	1000	2000	
Density	in.	mm							
9.4 pcf	1/2	13	0.00	0.05	0.32	0.70	0.93	1.01	0.50

PROFILE OPTIONS



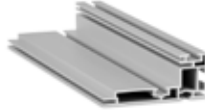
Profile #27



Profile #39



Profile #80



Profile #120



Profile #33



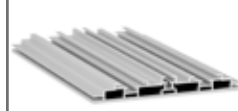
Profile #44



Profile #90



Profile #143



Profile #200

LED Specifications

Custom Manufactured to our specifications

	300E	300	300HG
Description	Economy	Regular	High Output
Volrage (Vdc)	24	24	24
Power (watts)	8	11.3	12.5
Output (lumens)	800	1000	1200
LED (custom color by request)	EPISTAR 6500K	CREE 6500K	CREE 6500K
LED Qty	5	5	5
LED Spacing (in)	3.15	3.15	3.15
Lens (degrees)	9X50	9X50	9X50
Size (in)	11.8L x 0.9W x 0.6H		



	360E	360C	360	360HG
Description	Economy	Regular	Regular	High Output
Volrage (Vdc)	24	24	24	24
Power (watts)	8	11.3	12.5	15
Output (lumens)	800	1000	1000	1200
LED (custom color by request)	EPISTAR 6500K	CREE 6500K	CREE 6500K	CREE 6500K
LED Qty	5	5	5	5
LED Spacing (in)	3.15	3.15	3.15	3.15
Lens (degrees)	9X50	15X45	9X50	9X50
Size (in)	14.2L x 0.9W x 0.6H			

	980	980H
Description	Regular	High Output
Volrage (Vdc)	24	24
Power (watts)	8	13.2
Output (lumens)	800	1150
LED (custom color by request)	CREE 6500K	CREE 6500K
LED Qty	14	14
LED Spacing (in)	1.75	1.75
Lens (degrees)	180	180
Size (in)	38L x 0.5W x 0.27H	



